

Daily Delight EZ

THURSDAY • MARCH 5 • 2026

WORD SEARCH

Double L's



Doll

Dwell

Gully

Holly

Cello

Allows

SUDOKU

How To Play:

Each 4x4 box is comprised of 4 smaller 2x2 boxes. Each of these smaller boxes must be filled in with numbers from 1-4. Each row and column of the larger 2x2 box should not have any numbers repeated.

	3		
2	1		4
			1
	2		

JOGGIN' YOUR NOGGIN'

These simple, easy-to-play games help provide a sense of accomplishment and help keep the brain active.



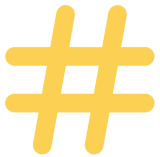
COMPLETE THE SONG TITLE

"Memories are Made of _____",
1956, Dean Martin



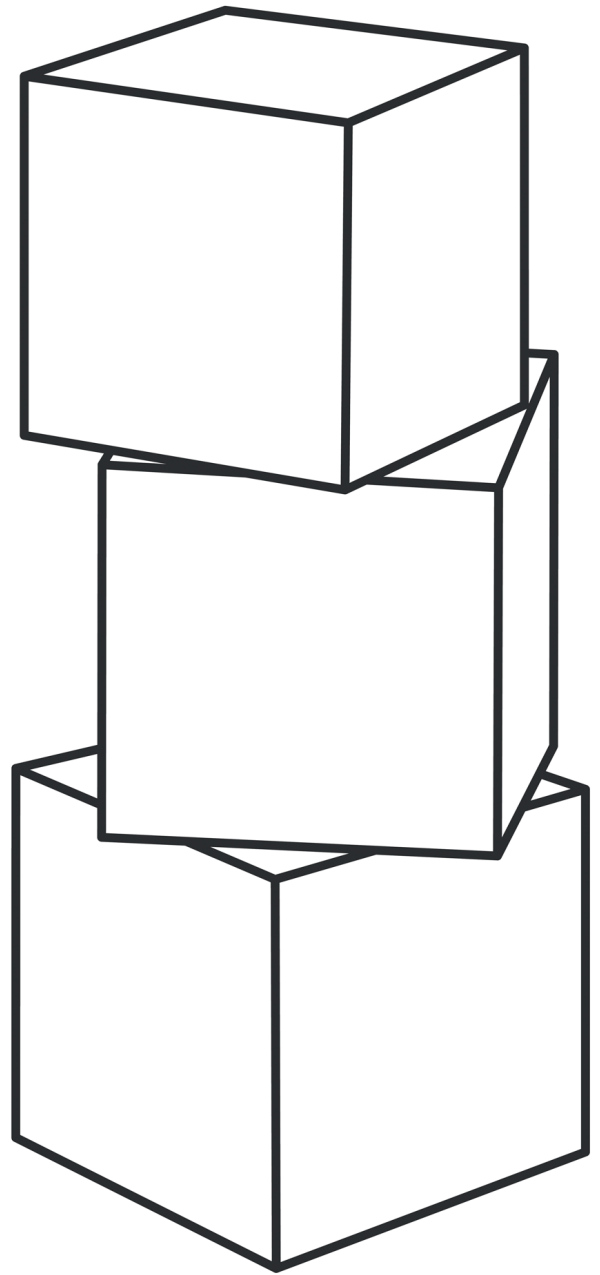
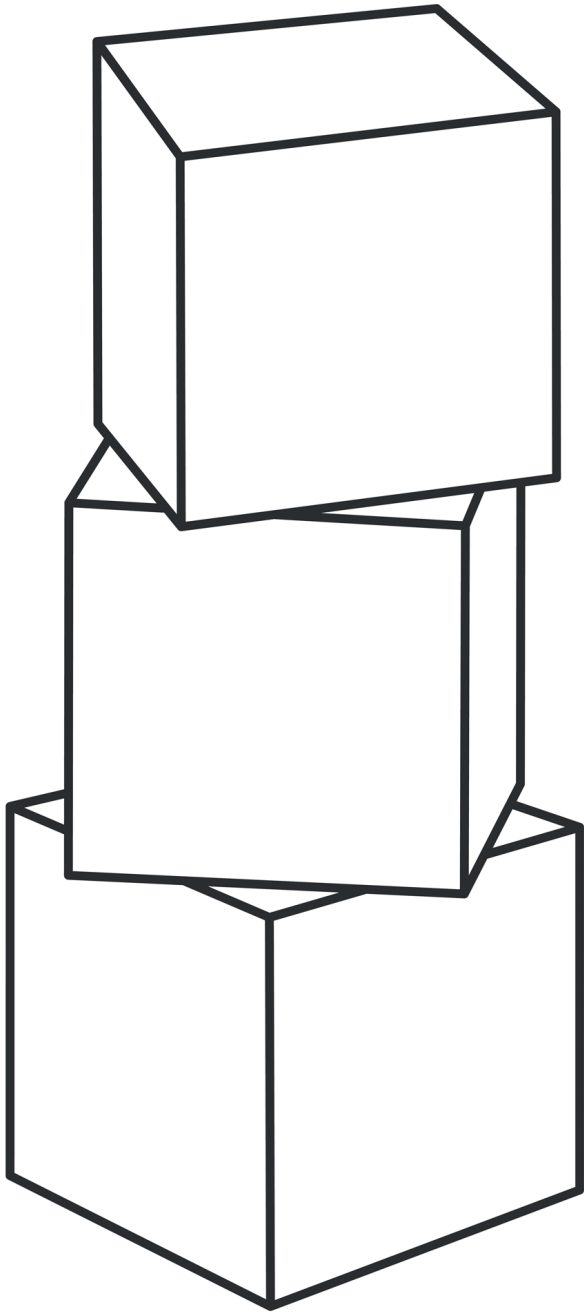
CAN YOU NAME IT?

A **can** that is round.

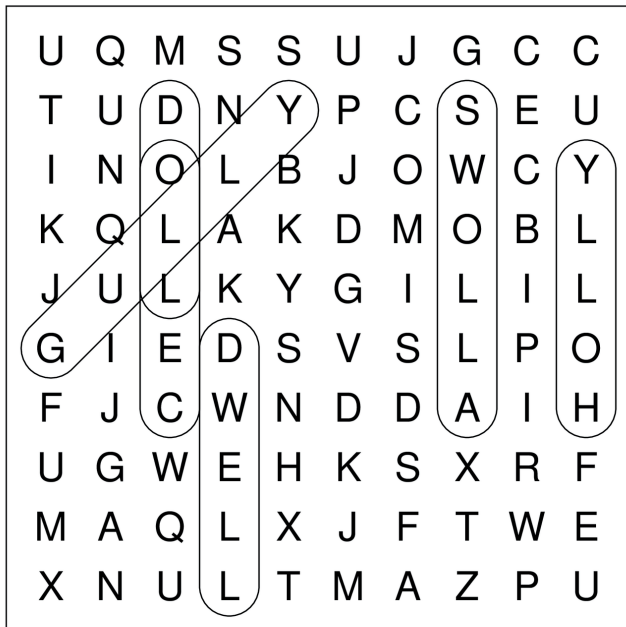


WHICH CAME FIRST?

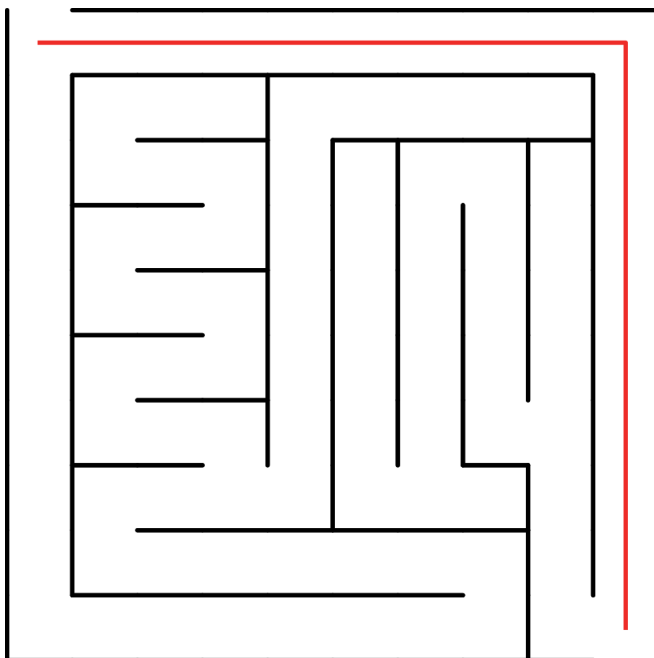
Insulin or Penicillin



SOLUTIONS



4	3	1	2
2	1	3	4
3	4	2	1
1	2	4	3



Joggin' Your Noggin' Answer:

- "Memories are Made of This", 1956, Dean Martin
- A cannonball
- Insulin