

# Daily Delight EZ

TUESDAY • JULY 23 • 2024

## WORD SEARCH

### THAT ANNOYING QUESTION

E S U M M E R P  
R I A G I E Z R  
W Z E H R D U Z  
A Z A E C E G S  
R L J A G K T T  
M E L T I T S U  
U R E E Z E E D  
O U T S I D E U

HEAT  
MELT

OUTSIDE  
SIZZLER

SUMMER  
WARM

# SUDOKU

## How To Play:

Each 4x4 box is comprised of 4 smaller 2x2 boxes. Each of these smaller boxes must be filled in with numbers from 1-4. Each row and column of the larger 2x2 box should not have any numbers repeated.

		3	
3			1
	2	4	
			2

---



# JOGGIN' YOUR NOGGIN'

These simple easy-to-play games help provide a sense of accomplishment and help keep the brain active.



## COMPLETE THE SONG TITLE

"My Shoes Keep Walkin' Back to You", 1957

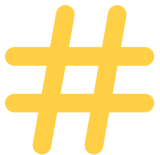
- a. Buck Owens
- b. Ray Price
- c. Don Gibson



## EZ Trivia

What are the hairdos commonly associated with "Greasers" called?

- a. Swirly hairdos
- b. Ducktail hairdos
- c. The greaser look



## EZ Word Scramble

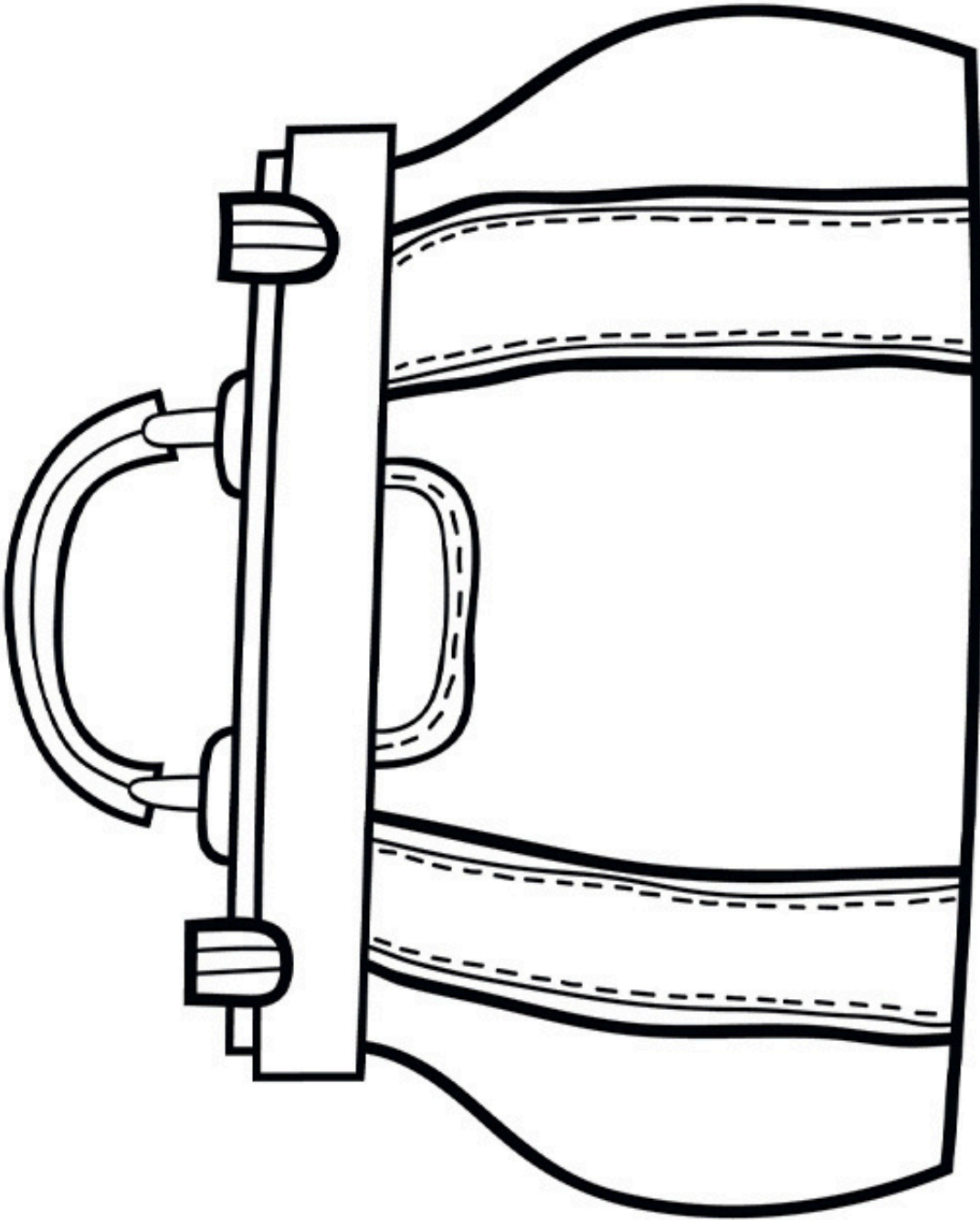
A I R H

\_\_\_\_\_

R I E C P

\_\_\_\_\_

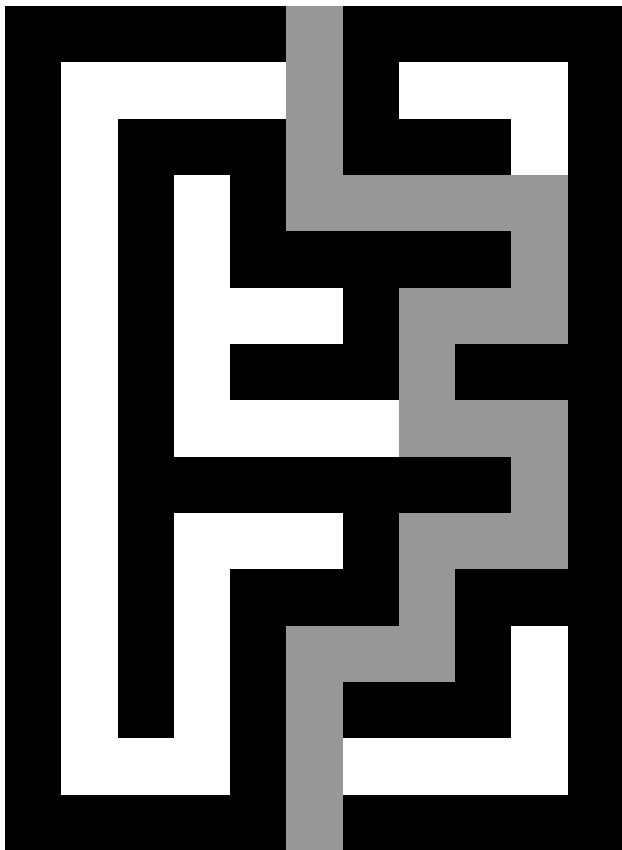




## SOLUTIONS



2	1	3	4
3	4	2	1
1	2	4	3
4	3	1	2



Joggin' Your Noggin' Answer:

- Ray Price
- Ducktail hairdos
- Hair, Price